

RU Universal plug Ø6, Ø8, Ø10 with countersunk head screw



Description

Universal plug with countersunk head screw

Technical data

Type of installation pre-fastening installation

Substrate concrete, solid clay brick, perforated solid brick, plasterboard

Sleeve material/protective coating

100% nylon

Blue zinc

Features and advantages of the product



Anti-rotation lugs

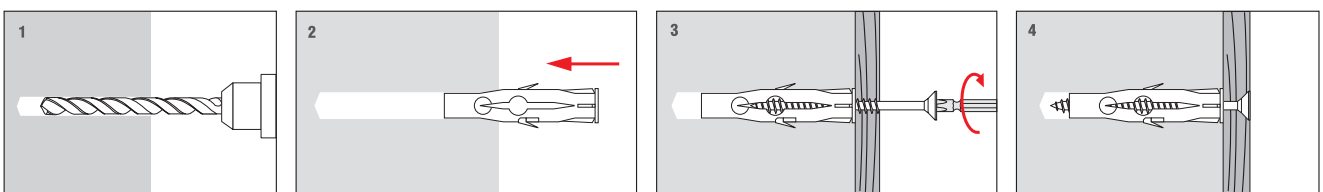
Protrusions on the sleeve keep it in place when screwing in the screw.

Nylon sleeve

Nylon with increased elasticity ensures correct expansion in the void.



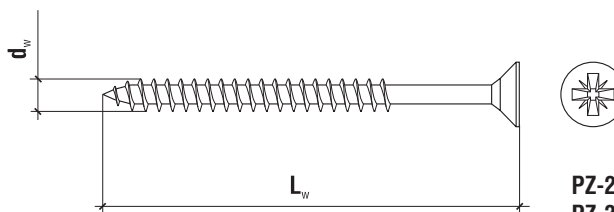
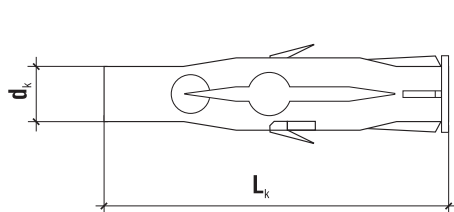
Installation



Product marking

RU	06	045
Type	Diameter	Length

TECHNICAL DATA



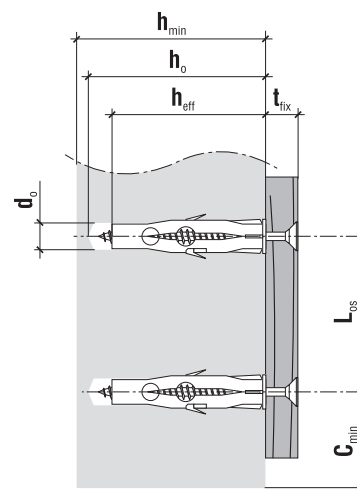
PZ-2
PZ-3

	Code	$d_k \times L_k$ [mm]	$d_w \times L_w$ [mm]	Max. fixture thickness t_{fix} [mm]	PZ	Pcs
ø6	RU-06045	6.0 x 35	3.5 x 45	5	PZ-2	100
	RU-06060	6.0 x 35	3.5 x 60	20	PZ-2	100
ø8	RU-08060	8.0 x 50	4.5 x 60	5	PZ-2	100
	RU-08080	8.0 x 50	4.5 x 80	25	PZ-2	100
ø10	RU-10080	10 x 60	6.0 x 80	15	PZ-3	100
	RU-10100	10 x 60	6.0 x 100	35	PZ-3	100

TECHNICAL DATA

Parameter	Unit	RU
Plug diameter	d_k [mm]	6/8/10
Hole diameter	d_o [mm]	6/8/10
Effective anchorage depth	h_{eff} [mm]	35/50/60*
Depth of drill hole	h_o [mm]	45/60/70*
Drive type	x	PZ-2/PZ-3**
Sleeve material	x	PA
Screw material	x	Zinc plated steel

* - for RU 6/8/10 ** - for RU 10



DESIGN PULL-OUT RESISTANCE [kN]

Substrate	RU-6	RU-8	RU-10
Concrete C20/25	0.38	0.52	0.92
Solid clay brick	0.25	0.36	0.64
Perforated solid brick	0.20	0.25	0.25
Plasterboard	0.24	0.26	0.28

* - min. plasterboard thickness 6 mm for each type of fastener

SUBSTRATE, MINIMUM THICKNESS, DISTANCE

Plug type	Min. member thickness h_{min} [mm]	Min. edge distance c_{min} [mm]	Min. spacing L_{os} [mm]
RU-6	70	70	140
RU-8	100	100	200
RU-10	120	120	240

* - min. plasterboard thickness 6 mm for each type of fastener